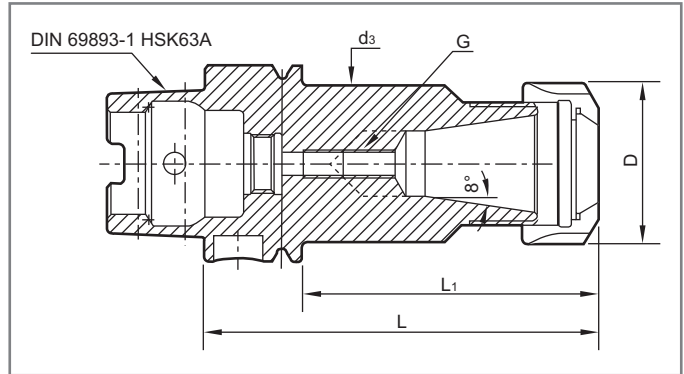


**ER Spring Collet Chuck**    DIN 69882-6:2005-06

**Features:**

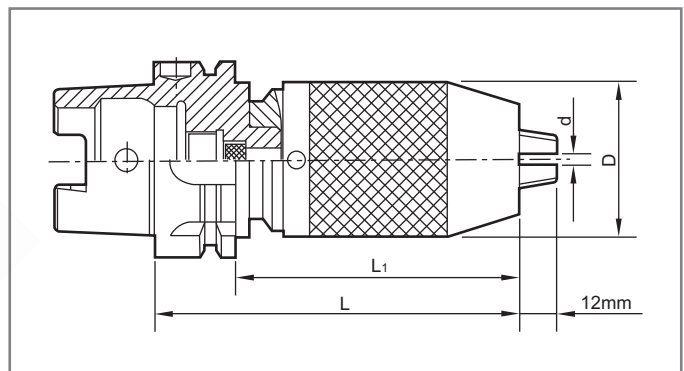
- Spring collet chuck for ER spring collets.
- Thread of the spring collect chuck and internal taper are precision ground.
- Pre-balanced G2.5 / 10,000 r.p.m. as standard, and option for G2.5 / 20,000 r.p.m.
- Backup screw is not included; please order as optional item.



Order Code	Type	d	L	D	L1	Collet	d3 MAX.	Backup Screw G
4250100-302	HSK63A-ER16A-80	0.5-10	80	28	54	ER16	53	M10 X 1.5P
-304	-ER16A-100		100		74			
-306	-ER16A-120		120		94			
-402	-ER20A-80	2-13	80	34	54	ER20		M12 X 1.75P
-404	-ER20A-100		100		74			
-502	-ER25-80	1-16	80	42	54	ER25		M16 X 2.0P
-504	-ER25-100		100		74			
-602	-ER32-80	2-20	80	50	54	ER32		M16 X 2.0P
-604	-ER32-100		100		74			
-606	-ER32-145		145		119			
-702	-ER40-80	3-26	80	63	54	ER40	M20 X 2.0P	
-704	-ER40-100		100		74			

**NC Drill Chuck**
**Features:**

- Pre-balance G6.3 / 8,000 r.p.m.



Order Code	Type	d	L	D	L1
4250190-202	HSK 63A-SPU13-110	1-13	110	50	84